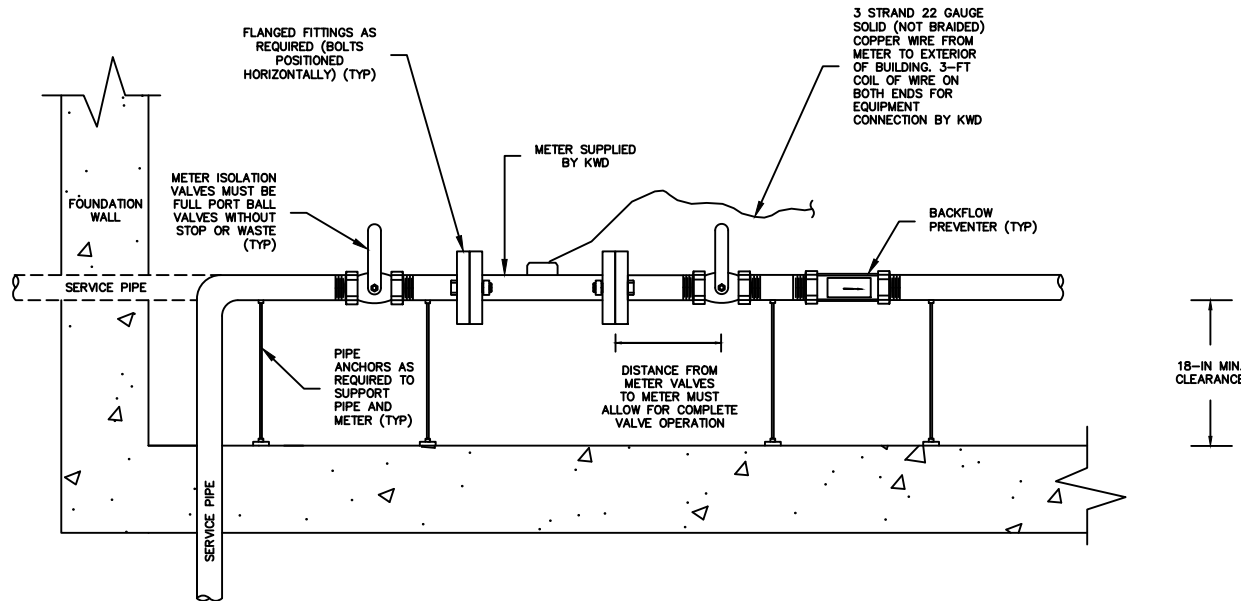


**NOTES:**

1. FOR EXISTING STRUCTURES KENNEBEC WATER DISTRICT (KWD) PERSONNEL WILL SUPPLY AND INSTALL WATER METER AND READING EQUIPMENT. FOR NEW STRUCTURES REQUIRING A WATER SERVICE, THE CUSTOMER SHALL PAY FOR THE METER AND READING EQUIPMENT. METER AND READING EQUIPMENT WILL REMAIN THE PROPERTY OF KWD.
2. THE CUSTOMER WILL PROVIDE ALL MATERIALS OTHER THAN THE METER AND READING EQUIPMENT. METERS WILL BE INSTALLED INLINE. SEE TABLE A FOR LAY LENGTHS AND STRAIGHT METER COUPLING SIZE.
3. THE METER SHALL BE INSTALLED WITHIN 48-IN FROM WHERE THE WATER SERVICE FIRST PENETRATES THE FLOOR OR WALL OF THE STRUCTURE, UNLESS APPROVED IN WRITING BY KWD. THE METER SHALL HAVE 4 TO 6-IN CLEARANCE FROM ANY WALLS AND BE 18 TO 48-IN FROM THE FINISHED FLOOR.
4. PIPING ON BOTH SIDES OF METER MUST BE RIGID WITH AT LEAST TWO POINTS OF SUPPORT ON EACH SIDE.
5. THE METER SHALL NOT BE PERMANENTLY ENCLOSED AND HAVE A MINIMUM OF 2-FT OF WORKING SPACE AROUND THE METER. METER MUST BE IN A WARM, DRY AND ACCESSIBLE LOCATION.
6. ACCESSIBLE LOCATIONS SHALL INCLUDE BASEMENTS WHICH ARE WELL LIT AND ACCESSED BY MEANS OF A SECURE/STABLE STAIRCASE, BULKHEAD OR DOOR TO THE OUTSIDE. ACCESS VIA LADDER SHALL NOT BE CONSIDERED ACCESSIBLE. HEAD ROOM SHALL BE 5-FT OR GREATER. METERS SHALL NOT BE LOCATED IN CRAWL SPACES.
7. BACKFLOW PREVENTION IS REQUIRED BY KWD PER CROSS-CONNECTION CONTROL POLICY. TYPE OF SERVICE AND DEGREE OF CROSS-CONNECTION HAZARD WILL DETERMINE THE DEVICE. BACKFLOW DEVICE SHALL BE DESIGNED FOR WHOLE BUILDING CONTAINMENT AND INSTALLED DOWNSTREAM OF METER AND METER ISOLATION VALVE. A WHOLE PART DUAL CHECK BACKFLOW PREVENTION DEVICE IS REQUIRED AT A MINIMUM.
8. THERMAL EXPANSION SHOULD BE ADDRESSED BY CUSTOMER OR CUSTOMER'S PLUMBER. CHECK LOCAL PLUMBING CODES FOR REQUIREMENTS.
9. PRESSURE REDUCING VALVES SHALL BE INSTALLED AS NECESSARY TO MEET CUSTOMERS NEEDS. PRESSURE REDUCING VALVES SHALL BE LOCATED DOWNSTREAM OF THE BACKFLOW PREVENTION DEVICE.
10. NO GROUND CLAMPS SHALL BE ATTACHED TO THE METER OR METER COUPLINGS.
11. ALL METERS 1 1/2-IN AND GREATER WILL HAVE FLANGED END CONNECTIONS.

METER SIZE REQUIREMENTS	
METER SIZE (INCHES)	METER LAY LENGTH (INCHES)
1 1/2	13 1/4
2	17 1/4
3	17 1/4
4	20 1/4
6	24 1/4
8	30 1/4
10	41 1/4



REVISION							
DATE							
TYPICAL COMMERCIAL METER INSTALLATION 1.5" TO 10"						DATE: APRIL 2023 SCALE: NTS	 SINCE 1899